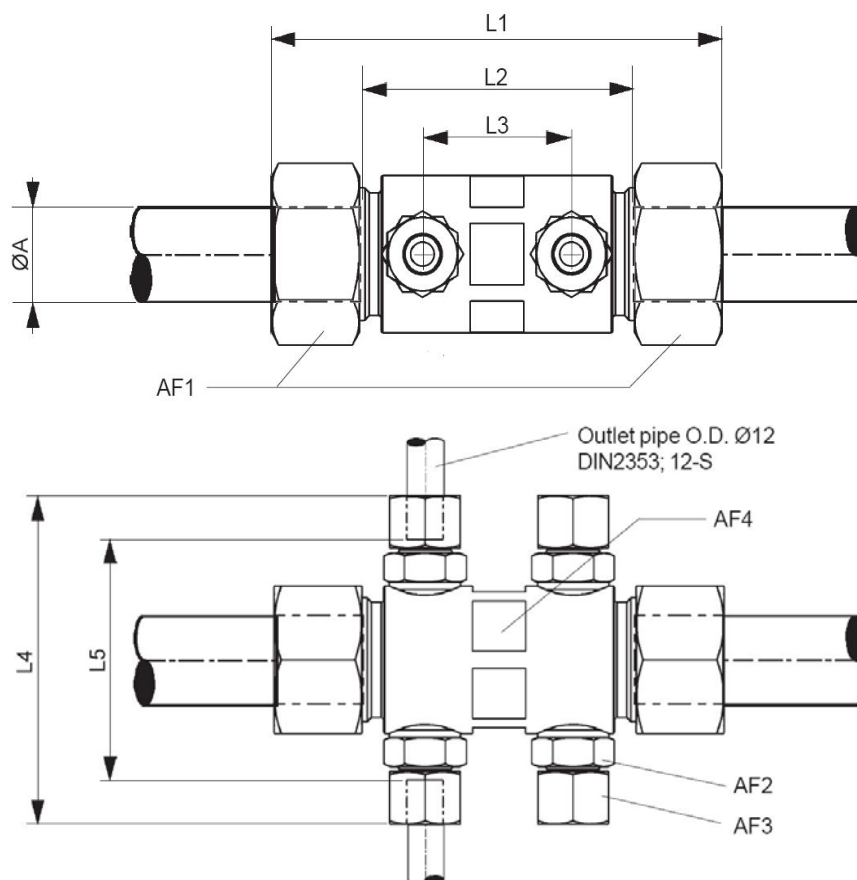


Distribution Block, 4 x Ø12 outlets

Stock codes B03241 and A-0001580

TECHNICAL DATA SHEET TB5020 REVISION B DATE OF ISSUE 18 Oct 2011

Stock code	Type	Mass	ØA	L1	L2	L3	L4	L5	AF1	AF2	AF3	AF4
B03241	16S/2+2X12S-C	1,23 kg	16	126	89	50	106	76	30	24	24	36
A-0001580	38S/2+2X12S-A	2,6 kg	38	152	90	50	122	92,6	60	24	24	55



General	Body material	Stock code B03241: EN 1.4305 / ASTM 303 Stock code A-0001580: EN 1.4404 / ASTM 316L
Installation	Connections	Cutting ring DIN2353